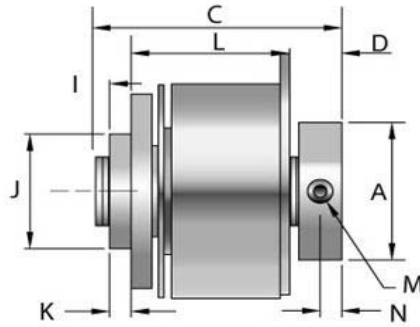
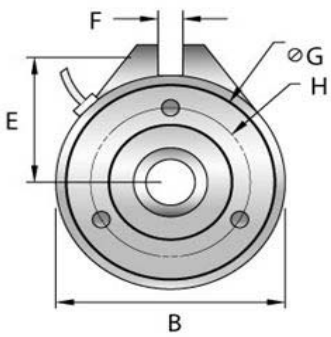
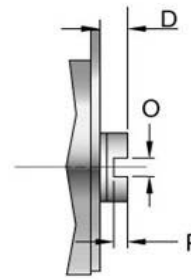


M75BB



Set Screw or
Cross Hole
Mounting



Cross Slot
Mounting

Tiny-Clutch M75BB M-Series Magnetic Spring Clutch

Specifications:

Max Torque	50 in/lbs
Max Speed	1200 RPM
Dimension A	1.00 in *
Dimension B	1.75 in
Dimension C	1.89 in
Dimension D	0.40 in
Dimension E	1.05 in
Dimension F	0.13 in
Dimension G	1.25 in
Dimension H	0.938 in B.C.
Dimension I	0.09 in
Dimension J	0.65 in
Dimension K	0.10 in
Dimension L	1.31 in
Dimension N	0.15 in *
Dimension O	1.13 in **
Dimension P	0.15 in **

Options:

Bore	1/4", 5/16", 3/8", 6mm, 7mm, 8mm, 9mm, 10mm
Mounting	Set Screw, CrossHole, Cross Slot, Set Screw & Cross Hole
Drive	Clockwise, Counter Clockwise
Voltage	12VDC, 24VDC, 90VDC
Hub Type	3-Hole Drum

* N/A For -CS ** For -CS Only

Tiny-Clutch | Helander Products, Inc.