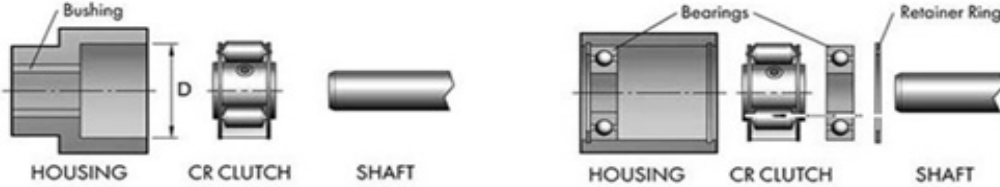
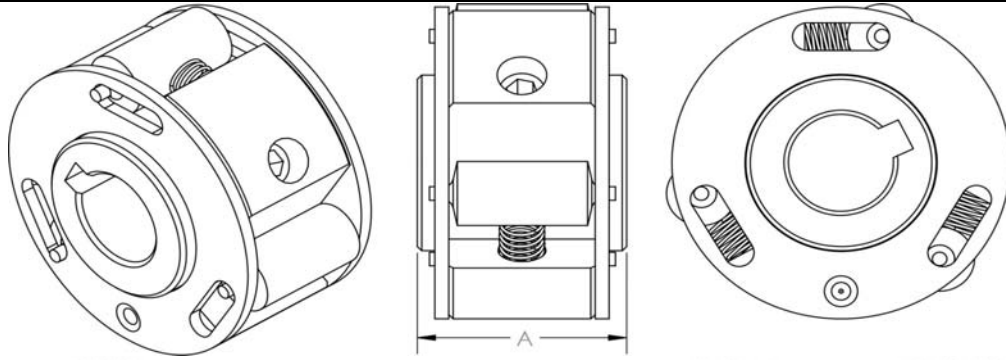


# CR662



For best performance, race should be concentric with shaft & bearing to within .002 T.I.R.

## Tiny-Clutch CR662 CR-Series Roller Clutch

### Specifications:

<b>Max Torque</b>	8 in/lbs
<b>Max Speed</b>	6000 rpm
<b>Dimension A</b>	0.375 in
<b>Dimension D</b>	0.626 in
	0.625 in

### Options:

<b>Bore</b>	1/8", 3/16", 1/4"
<b>Mounting</b>	Setscrew, Keyway w/ Set Screw
<b>Add-Ons</b>	Stainless Steel

Tiny-Clutch | Helander Products, Inc.

[www.TinyClutch.com](http://www.TinyClutch.com)

[TinyClutch@HelanderProducts.com](mailto:TinyClutch@HelanderProducts.com)

860.669.7953