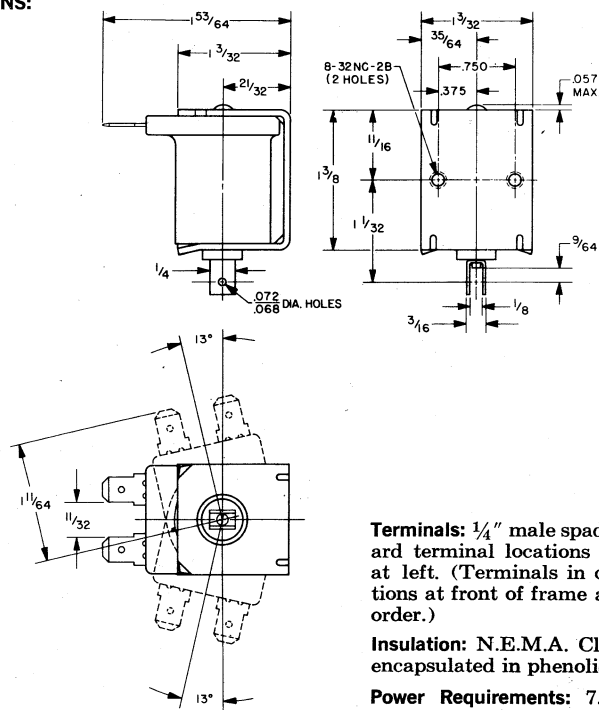


SERIES 860-300 C-FRAME SOLENOIDS

DIMENSIONS:



SPECIFICATIONS:

Standard Voltages and Frequencies: 6, 12, and 24 volts D.C.; 115 volts, 60 cycles A.C. (Other commonly used voltages and frequencies are readily available.)

Terminals: $\frac{1}{4}$ " male spade terminals. Standard terminal locations shown in drawings at left. (Terminals in corresponding locations at front of frame available on special order.)

Insulation: N.E.M.A. Class "A." Coil fully encapsulated in phenolic.

Power Requirements: 7.2 watts (constant duty D.C.); 10.7 watts (intermittent duty D.C.); 6 watts, 9 V A (constant duty A.C.); 10 watts, 15 VA (intermittent duty A.C.).

Stroke and Force: Maximum recommended stroke $\frac{3}{8}$ " for D.C.; $\frac{1}{2}$ " for A.C. See force/stroke curves.

Plunger Weight: 0.64 ounce. (Add to or subtract from charted force when solenoid is operated in vertical position.)