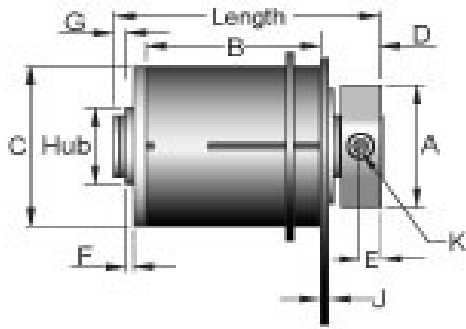
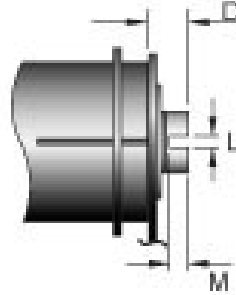
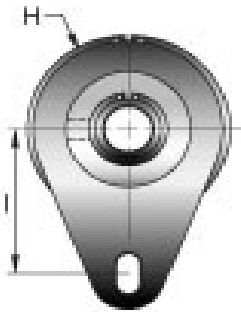


AD100A



Set Screw or
Cross Hole
Mounting



Cross Slot
Mounting

Tiny-Clutch AD100A AD-Series Autodisconnect Clutch

Specifications:		Options:	
Max Torque	250 in/lbs	Bore	3/8", 7/16", 1/2", 10mm, 11mm, 12mm, 13mm
Length	2.38 in		Mounting
Hub	0.94 in	Drive	
Dimension A	0.99 in *	Input	Hub, Shaft
Dimension B	1.55 in	Hub Type	3-Hole Drum
Dimension C	1.38 in		
Dimension D	0.45 in		
Dimension E	0.15 in *		
Dimension F	0.10 in		
Dimension G	0.09 in		
Dimension H	1.60 in		
Dimension I	1.19 in		
Dimension J	0.06 in		
Dimension L	0.101 in **		
Dimension M	0.70 in **		

* N/A For -CS ** For -CS Only

Tiny-Clutch | Helander Products, Inc.

www.TinyClutch.com

TinyClutch@HelanderProducts.com

860.669.7953