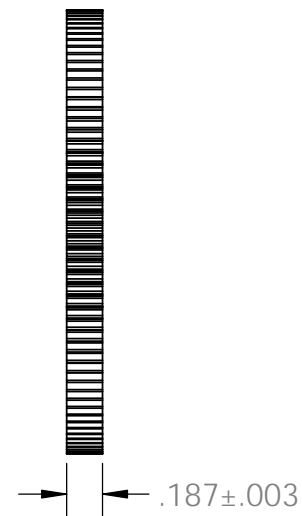
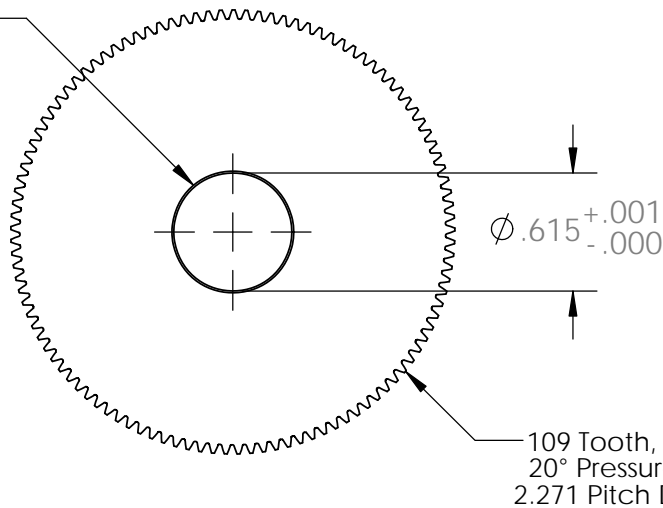


Chamfer .010  
Both Sides.



Formerly # 1703-109.

REV	DESCRIPTION	DATE	UNLESS OTHERWISE SPECIFIED:	109T, 20°PA Gear			<b>Tiny-Clutch</b> <b>Helander Products, Inc.</b> Clinton, Connecticut <a href="http://www.TinyClutch.com">www.TinyClutch.com</a> P = 860-669-7953   F = 860-669-6756			
			DIMENSIONS ARE IN INCHES TOLERANCES: FRACTIONAL $\pm .010$ TWO PLACE DECIMAL $\pm .010$ THREE PLACE DECIMAL $\pm .005$	DRAWN BY: P3	SCALE: 1:1	DATE: 9/28/2012	SHEET 1 OF 1	SIZE	DWG. NO.	REV
			<b>PROPRIETARY AND CONFIDENTIAL</b> THE INFORMATION CONTAINED IN THIS DRAWING IS THE SOLE PROPERTY OF HELANDER PRODUCTS, INC. ANY REPRODUCTION IN PART OR AS A WHOLE WITHOUT THE WRITTEN PERMISSION OF HELANDER PRODUCTS, INC. IS PROHIBITED.					<b>A</b>	2586	
				MATERIAL: Aluminum 2024-T4						

5



4

3

2

1