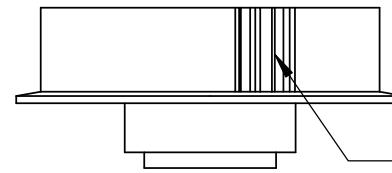
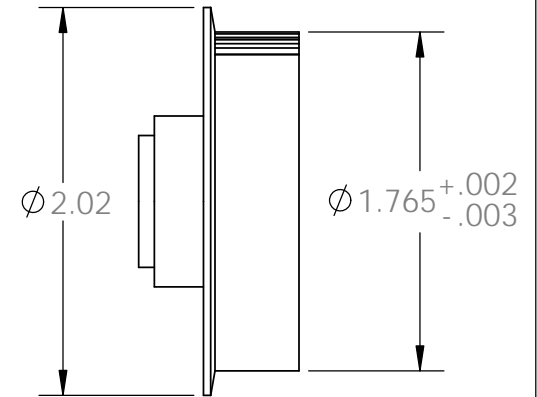
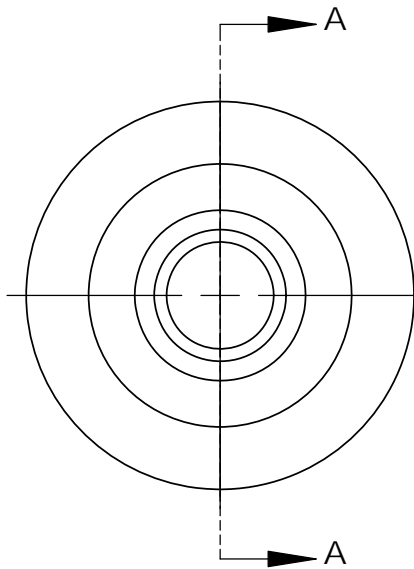
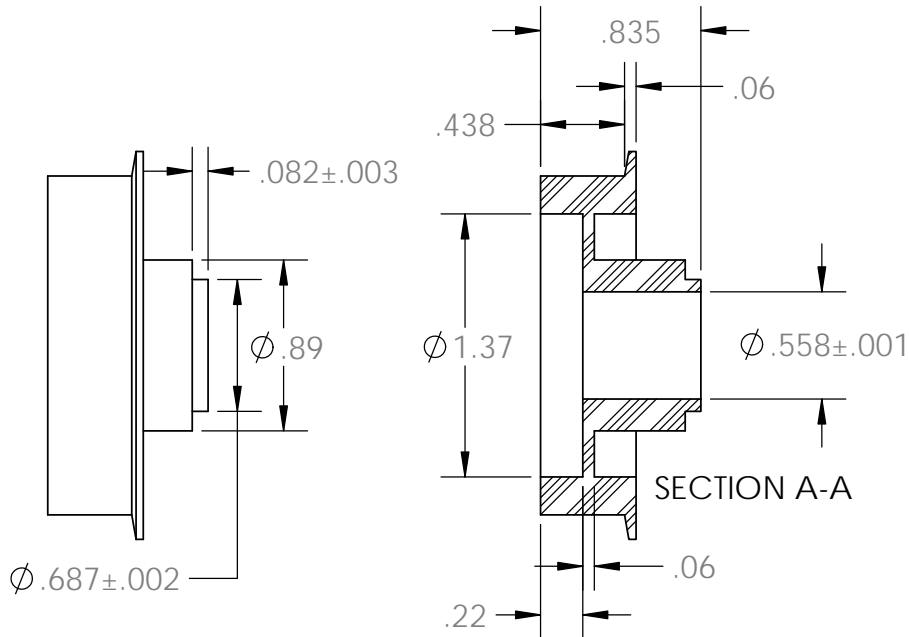
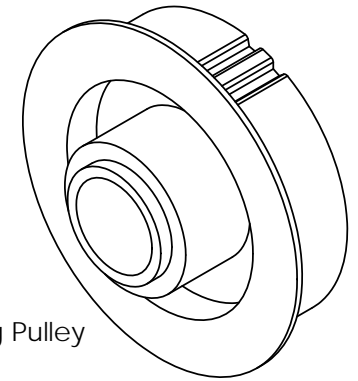


$\phi .558$, $\phi .687$ & $\phi 1.765$
Concentric To Within $.005$ T.I.R.



28T, XL Pitch
Single Flange Timing Pulley



REV	DESCRIPTION	DATE	UNLESS OTHERWISE SPECIFIED:	<h2 style="text-align: center;">28T, XL Pulley w/ Hub</h2>			<h1 style="margin: 0;">Tiny-Clutch</h1>		
D	Redraw & Change Hub OD From 1.00 To .89.	9/25/12	DIMENSIONS ARE IN INCHES TOLERANCES: FRACTIONAL $\pm .010$ TWO PLACE DECIMAL $\pm .010$ THREE PLACE DECIMAL $\pm .005$				Helander Products, Inc. Clinton, Connecticut www.TinyClutch.com P = 860-669-7953 F = 860-669-6756		
			PROPRIETARY AND CONFIDENTIAL THE INFORMATION CONTAINED IN THIS DRAWING IS THE SOLE PROPERTY OF HELANDER PRODUCTS, INC. ANY REPRODUCTION IN PART OR AS A WHOLE WITHOUT THE WRITTEN PERMISSION OF HELANDER PRODUCTS, INC. IS PROHIBITED.	DRAWN BY: P3 MATERIAL: Lexan 500			SIZE A	DWG. NO. 1639	REV D
				SCALE: 1:1	DATE: 9/25/2012	SHEET 1 OF 1			